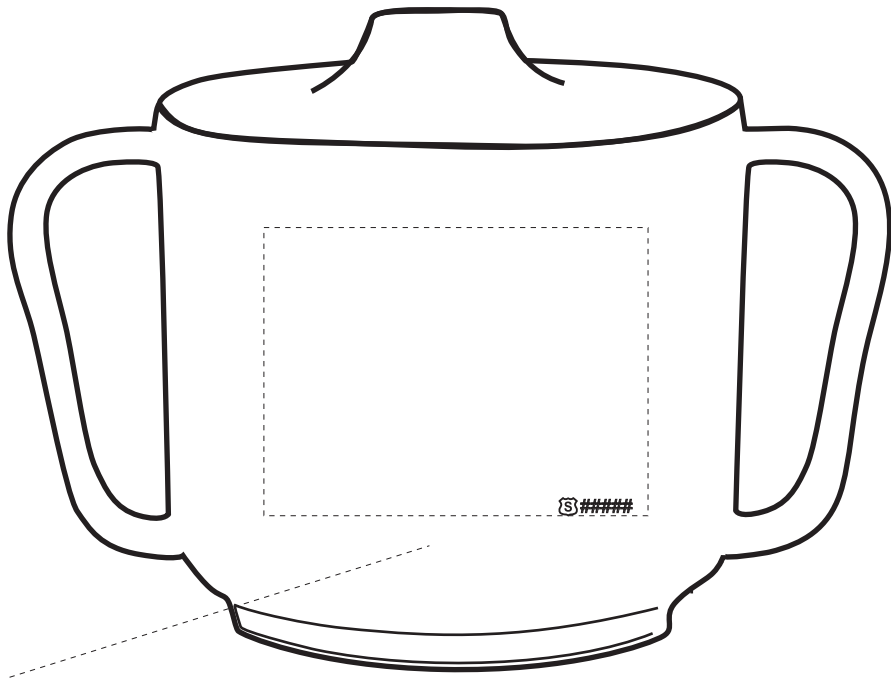


YES  N/A

**PLEASE DOUBLE CHECK WORDING**  
 Type had to be reset  
 for cleaner imprint  
 (original art was not vector)

**THIS ORDER WILL NOT BE PROCESSED  
 UNTIL THIS PROOF IS RETURNED**  
 Printing can take up to 5 days from time we receive signed art approval.



**CPSIA tracking #  
 can be placed anywhere within  
 imprint area and will  
 print along with artwork.**

2HC - 2 Handled Cup

Dotted line shows Imprint area



**ART APPROVAL FORM**  
 Fax Proofs are not true to size due to fax image shrinkage.

**Based on CPSIA requirements\* printer will include our Safety Shield & each new order # within imprint on all Children's Products for easy tracking.**

**ATTENTION:** This proof is for your protection against inadvertent errors. While every attempt is made to avoid errors or omissions in artwork, final proofing and approval must rest with the customer.

**PLEASE REVIEW WITH CARE!** Signature below releases printer from any liabilities of typographic or any other proof errors.

**Please Check One :**  O.K. AS IS  O.K. w/  
 CHANGES  MAKE CHANGES  
 AND FAX NEW PROOF

Date: \_\_\_\_\_

Signature: \_\_\_\_\_ Print: \_\_\_\_\_

P.O. NO. 0

IMPRINT COLORS 0

PRODUCT COLOR 0

IMAGE PLACEMENT 1 sides

*\*CPSIA Section 103(a), generally states all childrens products must be identified in a way to track where and when a product is manufactured.*

OE 0 Prod. 2HC

Art Link	APP IN	Proof OUT	Proof IN	ART C	APP C	Film Print